



“
FUNCTIONAL HARDWARE
FITTINGS & ACCESSORIES
FOR KITCHEN & FURNITURE”

Imported & Marketed by
Rikson Group

www.mhgroove.com

Follow us on



Edition - 02

Catalogue : 2023-2024





Company Profile

MGROOVE was established in 2000. It is recognized with international quality management ISO 9001 Certification and SGS System Certification in leading to processes which help in constantly improving the products, quality and stability in performance. At MGROOVE we have simple ethos "fantastic quality at reasonable rate". Today we can boast of a dedicated distributor network across all major towns and cities across INDIA.

All of our products comply with international quality standards and are greatly appreciated in a variety of different markets.

Company Goal

MGROOVE Mission -

- Strive to improving the quality.

MGROOVE Core Value

- Co-operative, Win Win, Creating, Leading.

MGROOVE Objective

- To be recognized as a reputed brand and pioneer in industry innovation.

DISTRIBUTION NETWORK



SUCCESS





MENU

S.S. SERIES	09-24
GREY SERIES	25-36
GLASS SERIES	37-48
SHEARER PREMIUM SERIES	49-58
WICKER BASKETS	59-64
ROLLING SHUTTERS	65-78
KITCHEN DRAWER SYSTEM	79-96
KITCHEN DRAWER INSERTS	97-108
KITCHEN OVERHEAD SOLUTIONS	109-118
KITCHEN BASE UNITS	119-124
FURNITURE FITTING SERIES	125-152



S.S. SERIES

PANTRY UNIT •

FLATLINE •

WIRE •

BOTTLE PULLOUT - 2 LAYER •

BOTTLE PULLOUT - 3 LAYER •

UNIVERSAL MAGIC CORNER •

MAGIC CORNER •

SWING CORNER •



PANTRY UNIT - FLATLINE (S.S. SERIES)



PRODUCT DETAILS IN MM

CABINET	WIDTH X DEPTH X HEIGHT	HEIGHT (FEET)	LAYERS
450	414 X 510 X 1130	4 FEET	4 LAYER
450	414 X 510 X 1820	6 FEET	6 LAYER
600	564 X 510 X 1130	4 FEET	4 LAYER
600	564 X 510 X 1820	6 FEET	6 LAYER

SPECIAL FEATURES

Function - Full display experience design, easy to take out the required items, can store all kinds of packaged foods, storage boxes, snacks, drinks etc.

Quality - The frame and parts are made of high quality metal, and the surface is treated with a three-layer car paint process. The surface of the basket adopts trivalent chromium plating European environment-friendly standard to ensure durability.

Load Capacity - Precise slider, maximum load is 40Kgs.



BASKETS SIZES IN MM - SMALL

450 - 356 X 130 X 80

600 - 466 X 130 X 80



BASKETS SIZES IN MM - BIG

450 - 380 X 280 X 80

600 - 480 X 280 X 80



SOFT-STOP



PANTRY UNIT - WIRE (S.S. SERIES)



PRODUCT DETAILS IN MM

CABINET	WIDTH X DEPTH X HEIGHT	HEIGHT (FEET)	LAYERS
450	414 X 510 X (1820-2150)	6 FEET	6 LAYER
600	564 X 510 X (1820-2150)	6 FEET	6 LAYER

SPECIAL FEATURES

Function - Full display experience design, easy to take out the required items, can store all kinds of packaged foods, storage boxes, etc.

Quality - The frame and parts are made of high quality metal, and the surface is treated with a three-layer car paint process. The surface of the basket adopts trivalent chromium plating European environment-friendly standard to ensure durability.

Load Capacity - Precise slider, maximum load is 40Kgs.





SOFT-STOP

BOTTLE PULLOUT - 2 LAYER (S.S. SERIES)



PRODUCT DETAILS IN MM

CABINET	WIDTH	DEPTH	HEIGHT
200	164	485	585
250	214	485	585
300	264	485	585

SPECIAL FEATURES

Function - Organize kitchen products as desired with our premium bottle pullout system. Bottle pullout used for modular kitchen cabinet equipped with soft close Quadro channels.

Design - Elegantly designed to suit today's modern kitchen. Set contains pullout mechanism, basket and clips.





SOFT-STOP

BOTTLE PULLOUT - 3 LAYER (S.S. SERIES)



PRODUCT DETAILS IN MM

CABINET	WIDTH	DEPTH	HEIGHT
200	164	485	585
250	214	485	585
300	264	485	585

SPECIAL FEATURES

Function - Organize kitchen products as desired with our premium bottle pullout system. Bottle pullout used for modular kitchen cabinet equipped with soft close Quadro channels.

Design - Elegantly designed to suit today's modern kitchen. Set contains pullout mechanism, basket and clips.



UNIVERSAL MAGIC CORNER (S.S. SERIES)



PRODUCT DETAILS IN MM

CABINET	WIDTH X DEPTH X HEIGHT	DOOR OPENING
900-1000	660 X 515 X 600	450-500

SPECIAL FEATURES

Function - Make full use of corner space with interlock pantry design to pull all baskets out from the cabinet obtaining great convenience in storage of infrequently used such as small household appliances, plates & bowls, dried fruits or spices.

Quality - Frame & accessories made of high grade metal with 3-layer car painting surface, baskets with European environment-friendly trivalent chrome plating surface to ensure durable life, key German-made motion bearing is precise & passes GS 50000 times of motion test.

Load Capacity - 20Kgs, Max 5Kgs per basket recommended.



SOFT-STOP





SOFT-STOP

MAGIC CORNER (S.S. SERIES)



PRODUCT DETAILS IN MM

CABINET	WIDTH X DEPTH X HEIGHT	DOOR OPENING
900-1000	864 X 530 X (620-750)	450-500

SPECIAL FEATURES

Function - Make full use of corner space with interlock pantry design to pull all baskets out from the cabinet obtaining great convenience in storage of infrequently used such as small household appliances, plates & bowls, dried fruits or spices.

Quality - Frame & accessories made of high grade metal with 3-layer car painting surface, baskets with European environment-friendly trivalent chrome plating surface to ensure durable life, key German-made motion bearing is precise & passes GS 50000 times of motion test.

Load Capacity - 20Kgs, Max 5Kgs per basket recommended.



“THE MAGIC
SOLUTION FOR CORNER SPACE”





SOFT-STOP

SWING CORNER (S.S. SERIES)



PRODUCT DETAILS IN MM

CABINET	WIDTH X DEPTH X HEIGHT	DOOR OPENING
900-1000	865 X 495 X (600-700)	450-500

SPECIAL FEATURES

Function - Make full use of corner space with interlock pantry design to pull all baskets out from the cabinet obtaining great convenient in storage of infrequently use items as small household appliances, plates & bowls, dried fruits or spices.

Quality - Frame & accessories made of high grade metal with 3-layer car painting surface, baskets with European environment-friendly trivalent chrome plating surface to ensure durable life, key German-made motion bearing is precise & passes GS 50000 times of motion test.

Load Capacity - 20Kgs, Max 10Kgs per tray recommended.





GREY SERIES

- PANTRY UNIT •
- BOTTLE PULLOUT - 2 LAYER •
- BOTTLE PULLOUT - 3 LAYER •
- UNIVERSAL MAGIC CORNER •
- SWING CORNER •



SOFT-STOP

PANTRY UNIT (GREY SERIES)



PRODUCT DETAILS IN MM

CABINET	WIDTH X DEPTH X HEIGHT	HEIGHT (FEET)	LAYERS
450	414 X 510 X 1130	4 FEET	4 LAYER
450	414 X 510 X 1820	6 FEET	6 LAYER
600	564 X 510 X 1130	4 FEET	4 LAYER
600	564 X 510 X 1820	6 FEET	6 LAYER

SPECIAL FEATURES

Function - Full display experience design, easy to take out the required items, can store all kinds of packaged foods, storage boxes, etc.

Quality - The frame and parts are made of high quality metal, and the surface is treated with a three-layer car paint process. The surface of the basket adopts trivalent plating European environment-friendly standard to ensure durability.

Load Capacity - Precise slider, maximum load is 40Kgs.



BASKETS SIZES IN MM - SMALL

450 - 356 X 130 X 80

600 - 466 X 130 X 80



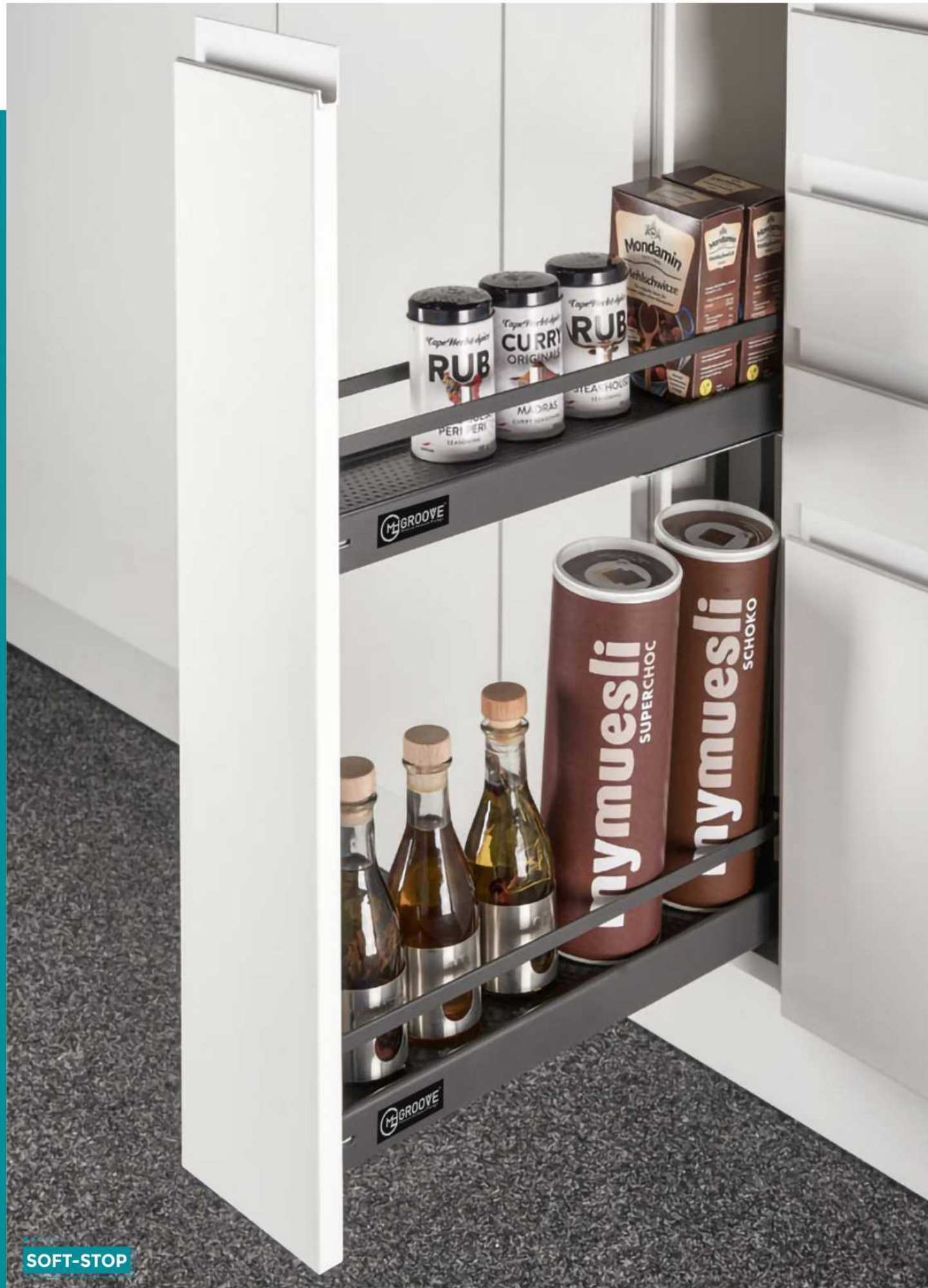
BASKETS SIZES IN MM - BIG

450 - 380 X 280 X 80

600 - 480 X 280 X 80



450mm 600mm



SOFT-STOP

BOTTLE PULLOUT - 2 LAYER (GREY SERIES)



PRODUCT DETAILS IN MM

CABINET	WIDTH	DEPTH	HEIGHT
200	164	485	585
250	214	485	585
300	264	485	585

SPECIAL FEATURES

Function - Organize kitchen products as desired with our premium bottle pullout system. Bottle pullout used for modular kitchen cabinet equipped with soft close Quadro channels.

Design - Elegantly designed to suit today's modern kitchen. Set contains pullout mechanism, basket and clips.





SOFT-STOP

BOTTLE PULLOUT - 3 LAYER (GREY SERIES)



PRODUCT DETAILS IN MM

CABINET	WIDTH	DEPTH	HEIGHT
200	164	485	585
250	214	485	585
300	264	485	585

SPECIAL FEATURES

Function - Organize kitchen products as desired with our premium bottle pullout system. Bottle pullout used for modular kitchen cabinet equipped with soft close Quadro channels.

Design - Elegantly designed to suit today's modern kitchen. Set contains pullout mechanism, basket and clips.





SOFT-STOP

UNIVERSAL MAGIC CORNER (GREY SERIES)



PRODUCT DETAILS IN MM

CABINET	WIDTH X DEPTH X HEIGHT	DOOR OPENING
900-1000	660 X 515 X 600	450-500

SPECIAL FEATURES

Function - Make full use of corner space with interlock pantry design to pull all baskets out from the cabinet obtaining great convenience in storage of infrequently used such as small household appliances, plates & bowls, dried fruits or spices.

Quality - Frame & accessories made of high grade metal with 3-layer car painting surface, baskets with European environment-friendly trivalent chrome plating surface to ensure durable life, key German-made motion bearing is precise & passes GS 50000 times of motion test.

Load Capacity - 20Kgs, Max 5Kgs per basket recommended.





SOFT-STOP

SWING CORNER (GREY SERIES)



PRODUCT DETAILS IN MM

CABINET	WIDTH X DEPTH X HEIGHT	DOOR OPENING
1050-1100	865 X 495 X (600-700)	450-500

SPECIAL FEATURES

Function - Make full use of corner space with interlock pantry design to pull all baskets out from the cabinet obtaining great convenient in storage of infrequently use items as small household appliances, plates & bowls, dried fruits or spices.

Quality - Frame & accessories made of high grade metal with 3-layer car painting surface, baskets with European environment-friendly trivalent chrome plating surface to ensure durable life, key German-made motion bearing is precise & passes GS 50000 times of motion test.

Load Capacity - 20Kgs, Max 10Kgs per tray recommended.





GLASS SERIES

PANTRY UNIT •

BOTTLE PULLOUT - 2 LAYER •

BOTTLE PULLOUT - 3 LAYER •

UNIVERSAL MAGIC CORNER •

MAGIC CORNER •





SOFT-STOP

PANTRY UNIT (GLASS SERIES)



PRODUCT DETAILS IN MM

CABINET	WIDTH X DEPTH X HEIGHT	HEIGHT (FEET)	LAYERS
450	414 X 510 X 1130	4 FEET	4 LAYER
450	414 X 510 X 1820	6 FEET	6 LAYER
600	564 X 510 X 1130	4 FEET	4 LAYER
600	564 X 510 X 1820	6 FEET	6 LAYER

SPECIAL FEATURES

Function - Full display experience design, easy to take out the required items, can store all kinds of packaged foods, storage boxes, snacks, drinks etc.

Quality - The frame and parts are made of high grade metal, and the surface is treated with a three-layer car paint process. The surface of the basket adopts trivalent plating European environment-friendly standard to ensure durability.

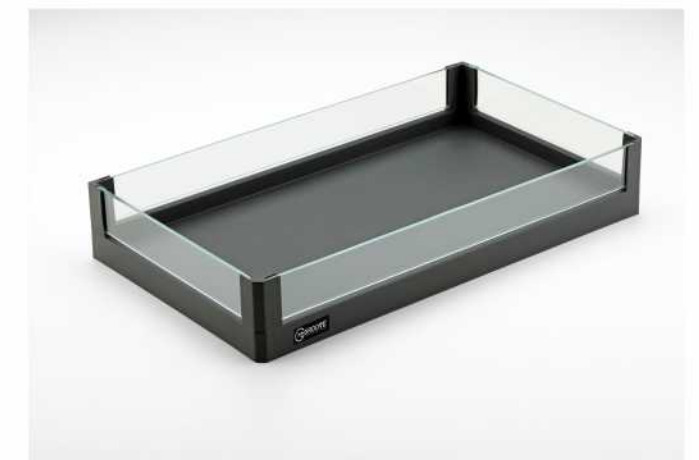
Load Capacity - Precise slider, maximum load is 40Kgs.



BASKETS SIZES IN MM - SMALL

450 - 356 X 130 X 80

600 - 466 X 130 X 80



BASKETS SIZES IN MM - BIG

450 - 380 X 280 X 80

600 - 480 X 280 X 80



450mm 600mm



SOFT-STOP

BOTTLE PULLOUT - 2 LAYER (GLASS SERIES)



PRODUCT DETAILS IN MM

CABINET	WIDTH	DEPTH	HEIGHT
200	164	485	585
250	214	485	585
300	264	485	585

SPECIAL FEATURES

Function - Organize kitchen products as desired with our premium bottle pullout system. Bottle pullout used for modular kitchen cabinet equipped with soft close Quadro channels.

Design - Elegantly designed to suit today's modern kitchen. Set contains pullout mechanism, basket and clips.





SOFT-STOP

BOTTLE PULLOUT - 3 LAYER (GLASS SERIES)



PRODUCT DETAILS IN MM

CABINET	WIDTH	DEPTH	HEIGHT
200	164	485	585
250	214	485	585
300	264	485	585

SPECIAL FEATURES

Function - Organize kitchen products as desired with our premium bottle pullout system. Bottle pullout used for modular kitchen cabinet equipped with soft close Quadro channels.

Design - Elegantly designed to suit today's modern kitchen. Set contains pullout mechanism, basket and clips.





SOFT-STOP

UNIVERSAL MAGIC CORNER (GLASS SERIES)



PRODUCT DETAILS IN MM

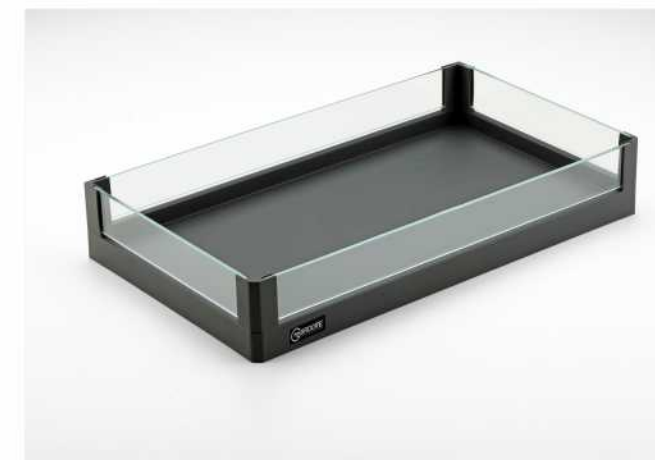
CABINET	WIDTH X DEPTH X HEIGHT	DOOR OPENING
900-1000	660 X 515 X 600	450-500

SPECIAL FEATURES

Function - Make full use of corner space with interlock pantry design to pull all baskets out from the cabinet obtaining great convenience in storage of infrequently used such as small household appliances, plates & bowls, dried fruits or spices.

Quality - Frame & accessories made of high grade metal with 3-layer car painting surface, baskets with European environment-friendly trivalent chrome plating surface to ensure durable life, key German-made motion bearing is precise & passes GS 50000 times of motion test.

Load Capacity - 20Kgs, Max 5Kgs per basket recommended.



MAGIC CORNER (GLASS SERIES)



PRODUCT DETAILS IN MM

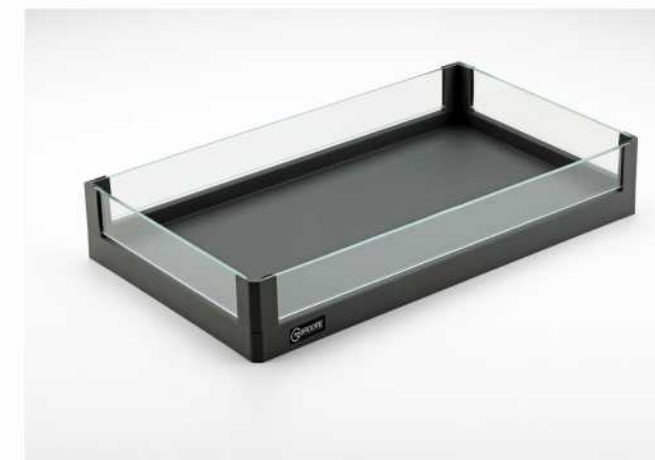
CABINET	WIDTH X DEPTH X HEIGHT	DOOR OPENING
900-1000	864 X 530 X (620-750)	450-500

SPECIAL FEATURES

Function - Make full use of corner space with interlock pantry design to pull all baskets out from the cabinet obtaining great convenience in storage of infrequently used such as small household appliances, plates & bowls, dried fruits or spices.

Quality - Frame & accessories made of high grade metal with 3-layer car painting surface, baskets with European environment-friendly trivalent chrome plating surface to ensure durable life, key German-made motion bearing is precise & passes GS 50000 times of motion test.

Load Capacity - 20Kgs, Max 5Kgs per basket recommended.



SOFT-STOP





SHEARER PREMIUM SERIES

PANTRY UNIT •

BOTTLE PULLOUT - 2 LAYER •

BOTTLE PULLOUT - 3 LAYER •

UNIVERSAL MAGIC CORNER •





SOFT-STOP

PANTRY UNIT (SHEARER PREMIUM SERIES)



PRODUCT DETAILS IN MM

CABINET	WIDTH X DEPTH X HEIGHT	HEIGHT (FEET)	LAYERS
450	414 X 510 X 1130	6 FEET	6 LAYER
600	564 X 510 X 1820	6 FEET	6 LAYER

SPECIAL FEATURES

Function - Full display experience design, easy to take out the required items, can store all kinds of packaged foods, storage boxes, etc.

Quality - The Shearer series adopts aviation level space aluminum alloy and the surface adopts superb fluorocarbon technology to ensure anti corrosion, rust proof, wear resistant. The product has passed the German safety GS50000 exercise test.

Load Capacity - Precise slider, maximum load is 40Kgs.



BASKETS SIZES IN MM - SMALL
450 - 356 X 130 X 80
600 - 466 X 130 X 80



BASKETS SIZES IN MM - BIG
450 - 380 X 280 X 80
600 - 480 X 280 X 80



450mm 600mm



SOFT-STOP

BOTTLE PULLOUT - 2 LAYER (SHEARER PREMIUM SERIES)



PRODUCT DETAILS IN MM

CABINET	WIDTH	DEPTH	HEIGHT
200	164	485	585
250	214	485	585
300	264	485	585

SPECIAL FEATURES

Function - Organize kitchen products as desired with our premium bottle pullout system. Bottle pullout used for modular kitchen cabinet equipped with soft close Quadro channels.

Design - Elegantly designed to suit today's modern kitchen. Set contains pullout mechanism, basket and clips.





SOFT-STOP

BOTTLE PULLOUT - 3 LAYER (SHEARER PREMIUM SERIES)



PRODUCT DETAILS IN MM

CABINET	WIDTH	DEPTH	HEIGHT
200	164	485	585
250	214	485	585
300	264	485	585

SPECIAL FEATURES

Function - Organize kitchen products as desired with our premium bottle pullout system. Bottle pullout used for modular kitchen cabinet equipped with soft close Quadro channels.

Design - Elegantly designed to suit today's modern kitchen. Set contains pullout mechanism, basket and clips.





SOFT-STOP

UNIVERSAL MAGIC CORNER (SHEARER PREMIUM SERIES)



PRODUCT DETAILS IN MM

CABINET	WIDTH X DEPTH X HEIGHT	DOOR OPENING
900-1000	660 X 515 X 600	450-500

SPECIAL FEATURES

Function - Make full use of corner space with interlock pantry design to pull all baskets out from the cabinet obtaining great convenience in storage of infrequently used such as small household appliances, plates & bowls, dried fruits or spices.

Quality - Frame & accessories made of high grade metal with 3-layer car painting surface, The Shearer series adopts aviation level space aluminum alloy and the surface adopts superb fluorocarbon technology to ensure anti corrosion, rust proof, wear resistant, key German-made motion bearing is precise & passes GS 50000 times of motion test.

Load Capacity - 20Kgs, Max 5Kgs per basket recommended.





WICKER SERIES

WOODEN •
ITALIAN PVC •



WICKER BASKET (WOODEN)



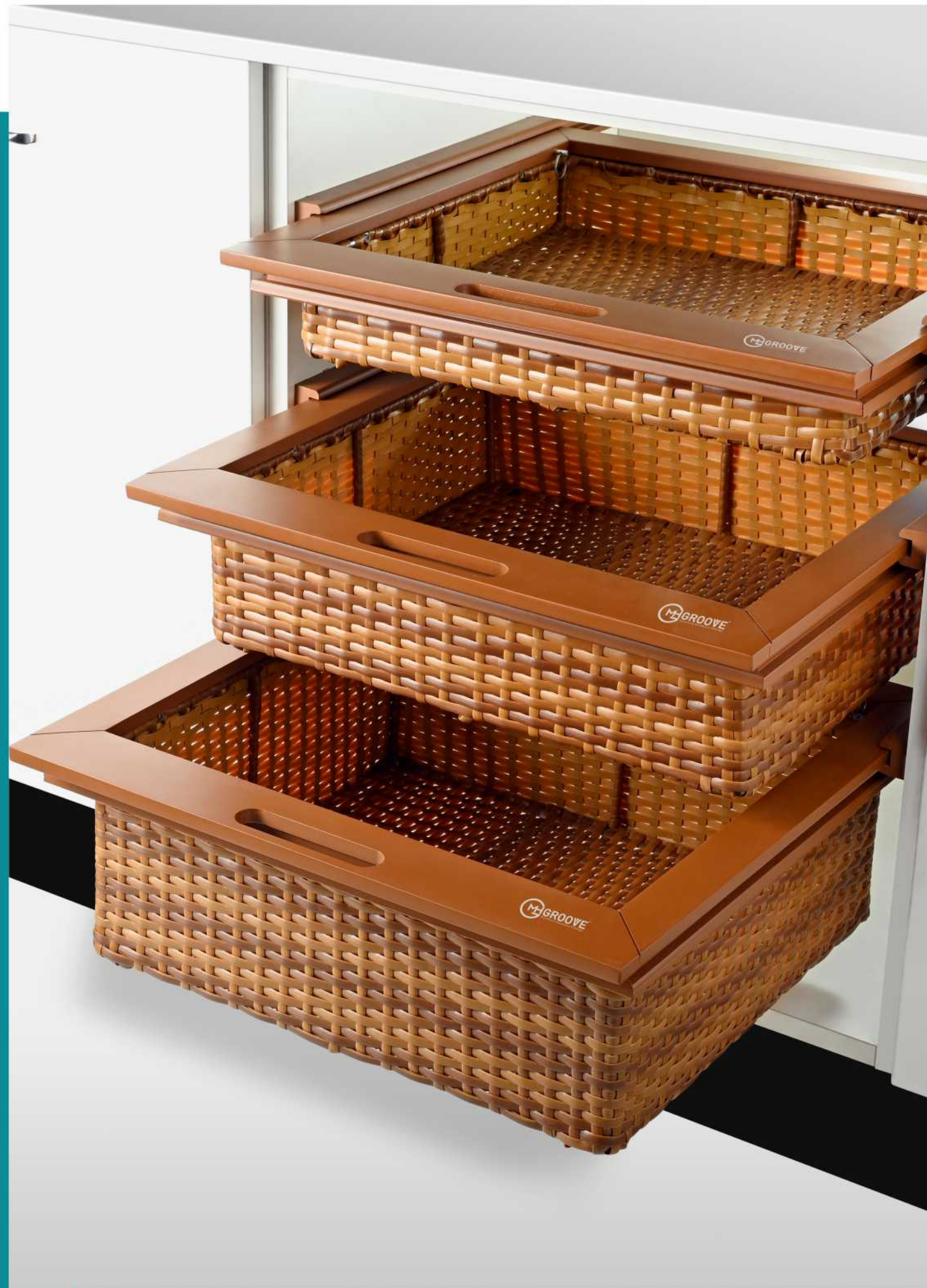
PRODUCT DETAILS IN MM

CABINET	WIDTH	DEPTH	HEIGHT
450	414	508	100, 150, 200
600	564	508	100, 150, 200

SPECIAL FEATURES

- Ideal for sorting fruits and vegetable in an organized manner, these baskets are made of original Cane wood that are stable and suitable for all seasons.
- These baskets are elegantly designed for modular kitchens.
- Easy to fit and easy to use.





WICKER BASKET (ITALIAN PVC)



PRODUCT DETAILS IN MM

CABINET	WIDTH	DEPTH	HEIGHT
450	414	508	100, 150, 200
600	564	508	100, 150, 200

SPECIAL FEATURES

- Ideal for sorting fruits and vegetable in an organized manner, these baskets made of Italian PVC plastic wires that are stable and suitable for all seasons.
- These baskets are elegantly designed for modular kitchens.
- Easy to fit and easy to use.



“MAKE YOUR KITCHEN
ELEGANCE & INNOVATIVE”



ROLLING SHUTTERS

PVC ROLLING SHUTTER •

SILVER •

BLACK •

WHITE •

GLASS ROLLING SHUTTER •

WHITE •

BLACK •

FROSTED •



ROLLING SHUTTER - PVC (SILVER)



PRODUCT DETAILS IN MM

CABINET	INNER WIDTH	DEPTH	HEIGHT
450	414	350	1200/1400
600	564	350	1200/1400
900	864	350	1200/1400

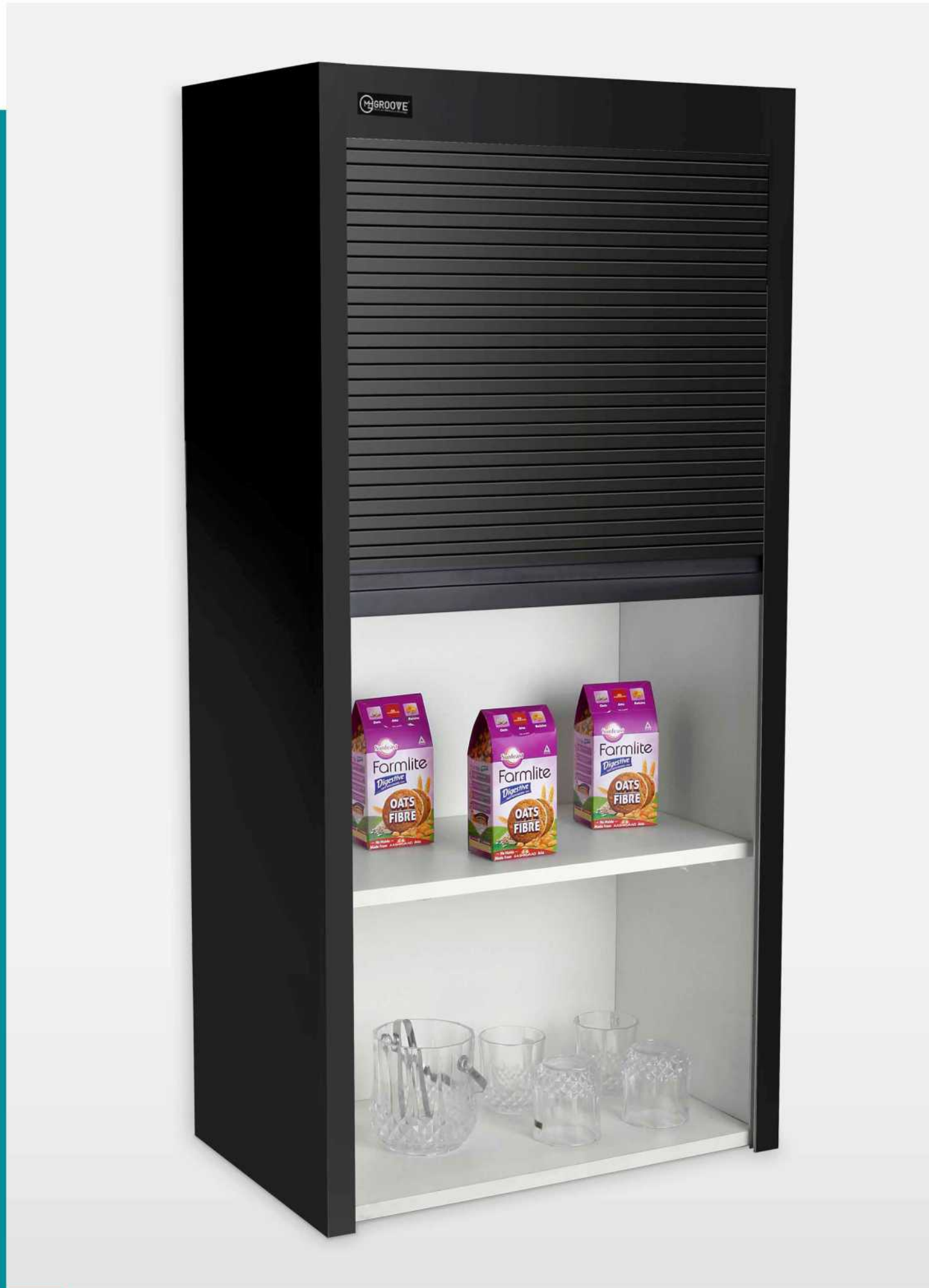
SPECIAL FEATURES

Function - Can be used in wall cabinets, can store dishes, cups and other kitchen utensils.

Design - Unique dynamic opening and closing design, linear deceleration to interpret the dynamic beauty of life; modern lite and shadow design.

Finish - Silver





ROLLING SHUTTER - PVC (BLACK)



PRODUCT DETAILS IN MM

CABINET	INNER WIDTH	DEPTH	HEIGHT
450	414	350	1200/1400
600	564	350	1200/1400
900	864	350	1200/1400

SPECIAL FEATURES

Function - Can be used in wall cabinets, can store dishes, cups and other kitchen utensils.

Design - Unique dynamic opening and closing design, linear deceleration to interpret the dynamic beauty of life; modern lite and shadow design.

Finish - Black





ROLLING SHUTTER - PVC (WHITE)



PRODUCT DETAILS IN MM

CABINET	INNER WIDTH	DEPTH	HEIGHT
450	414	350	1200/1400
600	564	350	1200/1400
900	864	350	1200/1400

SPECIAL FEATURES

Function - Can be used in wall cabinets, can store dishes, cups and other kitchen utensils.

Design - Unique dynamic opening and closing design, linear deceleration to interpret the dynamic beauty of life; modern lite and shadow design.

Finish - White





ROLLING SHUTTER - GLASS (FROSTED)



PRODUCT DETAILS IN MM

CABINET	INNER WIDTH	DEPTH	HEIGHT
600	564	350	1200/1400

SPECIAL FEATURES

Function - Can be used in wall cabinets, can store dishes, cups and other kitchen utensils.

Design - Unique dynamic opening and closing design, linear deceleration to interpret the dynamic beauty of life; modern lite and shadow design.

Finish - Frosted





ROLLING SHUTTER - GLASS (BLACK)



PRODUCT DETAILS IN MM

CABINET	INNER WIDTH	DEPTH	HEIGHT
600	564	350	1200/1400

SPECIAL FEATURES

Function - Can be used in wall cabinets, can store dishes, cups and other kitchen utensils.

Design - Unique dynamic opening and closing design, linear deceleration to interpret the dynamic beauty of life; modern lite and shadow design.

Finish - Black





ROLLING SHUTTER - GLASS (WHITE)



PRODUCT DETAILS IN MM

CABINET	INNER WIDTH	DEPTH	HEIGHT
600	564	350	1200/1400

SPECIAL FEATURES

Function - Can be used in wall cabinets, can store dishes, cups and other kitchen utensils.

Design - Unique dynamic opening and closing design, linear deceleration to interpret the dynamic beauty of life; modern lite and shadow design.

Finish - White





KITCHEN DRAWER SYSTEM

- TANDEM BOX •
- LIGHT GREY •
- DARK GREY •
- SLIM BOX •
- REGULAR SLIM BOX •
- PUSH TO OPEN SLIM BOX •
- INNER SLIM BOX •
- SMARTEK GLASS SERIES •
- GLASS TANDEM •
- INNER GLASS TANDEM •

“VERSATILE, FLEXIBLE,
MODULAR DRAWER”





TANDEM BOX - 35KG

LIGHT GREY

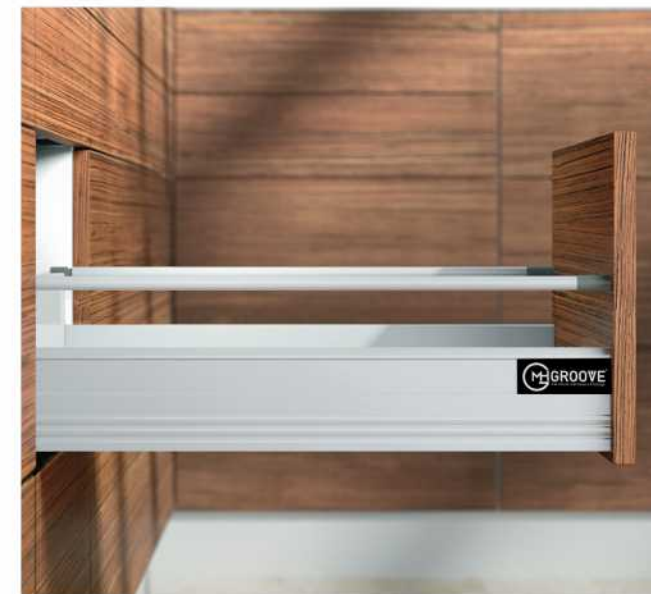


PRODUCT DETAILS IN MM

DEPTH	HEIGHT IN INCH	REMARK
500	4 INCH	WITHOUT GALLERY
500	6 INCH	SINGLE GALLERY
500	8 INCH	DOUBLE GALLERY

SPECIAL FEATURES

- Classified storage space solutions for your selection that you can freely adjust the partition system and arrange most reasonable storage space according to your personal preference and needs.
- Under mount slides which guarantee over 50,000 cycle testing & SGS system certification.
- It comes with under mount Concealed Quadro which makes the movement very smooth.
- Easy to install and easy to remove.
- Color - Light Grey Round Gallery
- Loading capacity - 35 kg





TANDEM BOX - 45KG

DARK GREY



PRODUCT DETAILS IN MM

DEPTH	HEIGHT IN INCH	REMARK
500	4 INCH	WITHOUT GALLERY
500	6 INCH	SINGLE GALLERY
500	8 INCH	DOUBLE GALLERY

SPECIAL FEATURES

- Classified storage space solutions for your selection that you can freely adjust the partition system and arrange most reasonable storage space according to your personal preference and needs.
- Under mount slides which guarantee over 50,000 cycle testing & SGS system certification.
- Easy to install and easy to remove.
- Color - Dark Grey Square Gallery
- Loading capacity - 45 kg





REGULAR SLIM BOX



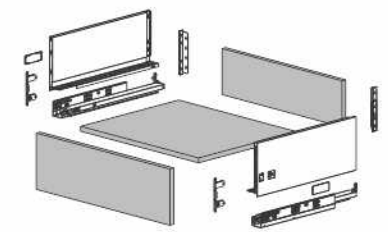
PRODUCT DETAILS IN MM

DEPTH	HEIGHT
350/400/450/500/550	86
350/400/450/500/550	116
350/400/450/500/550	167
400/450/500	199

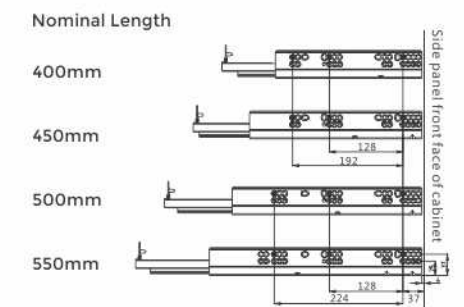
SPECIAL FEATURES

- Stepless variable speed damping technology.
- Soft close concealed full extension drawer.
- Under mount slides which guarantee over 50,000 cycle testing & SGS system certification.
- Easy to install and easy to remove.
- Loading capacity - 45kg
- Color - Dark Grey

Product Breakdown Drawing



Runner Installation





PUSH TO OPEN SLIM BOX



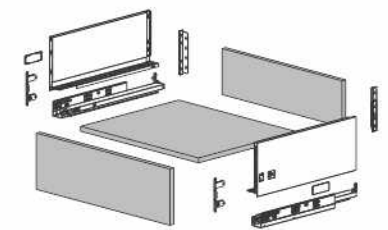
PRODUCT DETAILS IN MM

DEPTH	HEIGHT
500	86
500	116
500	167

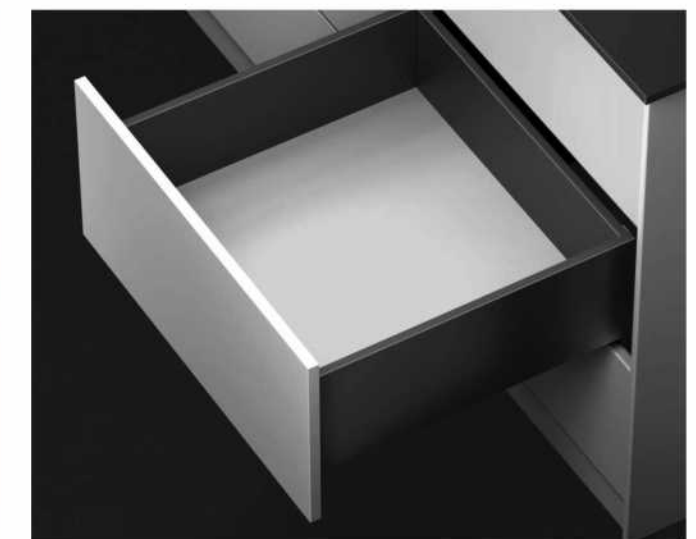
SPECIAL FEATURES

- Stepless variable speed damping technology.
- Soft close concealed full extension drawer.
- Under mount slides which guarantee over 50,000 cycle testing & SGS system certification.
- Easy to install and easy to remove.
- Loading capacity - 45kg
- Color - Dark Grey

Product Breakdown Drawing



“EFFORTLESS PERFORMANCE”





INNER SLIM BOX

PRODUCT DETAILS IN MM

CONNECTOR HEIGHT	PANEL	GALLERY
86	1200	1200
118		
167		
199		

SPECIAL FEATURES

- Stepless variable speed damping technology.
- Soft close concealed full extension drawer.
- Under mount slides which guarantee over 50,000 cycle testing & SGS system certification.
- Easy to install and easy to remove.
- Loading capacity - 45kg
- Color - Dark Grey





GLASS TANDEM

PRODUCT DETAILS IN MM

DEPTH	HEIGHT	REMARKS
505	106	DRAWER SYSTEM
505	132	DRAWER SYSTEM
505	162	DRAWER SYSTEM

SPECIAL FEATURES

- Stepless variable speed damping technology.
- Soft close concealed full extension drawer.
- Under mount slides which guarantee over 50,000 cycle testing & SGS system certification.
- Easy to install and easy to remove.
- Loading capacity - 45kg
- Color - Dark Grey





INNER GLASS TANDEM

PRODUCT DETAILS IN MM

DEPTH	HEIGHT	REMARKS
505	106	INNER DRAWER
505	162	INNER DRAWER

SPECIAL FEATURES

- Stepless variable speed damping technology.
- Soft close concealed full extension drawer.
- Under mount slides which guarantee over 50,000 cycle testing & SGS system certification.
- Easy to install and easy to remove.
- Loading capacity - 45kg
- Color - Dark Grey

“SILENT & **SMOOTH CLOSING**” //





KITCHEN DRAWER INSERTS

- CUTLERY •
- PVC CUTLERY •
- SS BOWL CUTLERY •
- ALUMINUM CUTLERY •
- HOLDER •
- S.S. HEAVY •
- S.S. PREMIUM •
- ABS •
- PVC •
- PVC PLATE HOLDER •
- PVC MAT •

PVC CUTLERY



PRODUCT DETAILS IN MM

SIZE	MAXIMUM WIDTH	DEPTH	HIGHT
450	380	485	55
500	430	485	55
600	530	485	55
700	630	485	55
800	730	485	55
900	830	485	55

SPECIAL FEATURES

- Elegantly designed to suit today's modern kitchen.
- Available in 6 different sizes and configurations to fit any drawer.
- Manufactured out of non toxic, food grade polypropylene and are easy to clean.



SS BOWL CUTLERY



PRODUCT DETAILS IN MM

SIZE	WIDTH	DEPTH	HEIGHT
600	516	472	64
900	816	472	64

SPECIAL FEATURES

- Elegantly designed for space saving and long life.
- Various arrangement are possible in a drawer.
- Material adopts imported 304 Stainless steel.
- For the special cabinet width can be flexible use.



ALUMINUM CUTLERY



PRODUCT DETAILS IN MM

WIDTH	DEPTH
4 INCH	500
5 INCH	500
6 INCH	500
8 INCH	500

SPECIAL FEATURES

- Elegantly designed for space saving and long life.
- Various arrangement are possible in a drawer.
- Easy to use in any kitchen drawer made from aluminum used to keep spoons, knives, shears etc.

SS STAND HEAVY



PRODUCT SPECIFICATION

- Available in 485mm Depth
- Easy to use in any kind kitchen drawer.
- Made from stainless steel with an Nickel Chrome plated surface an efficient, robust holder for your plates, Pan lids, in a vertical easy access way.

Cup & Saucer Stand



Thali / Plate Stand



SS STAND PREMIUM



PRODUCT SPECIFICATION

- Available in 485mm Depth
- Made from stainless steel with an Nickel Chrome plated surface an efficient, robust holder for your plates, Pan lids, in a vertical easy access way.

Cup & Saucer Stand



Thali / Plate Stand



ABS STAND

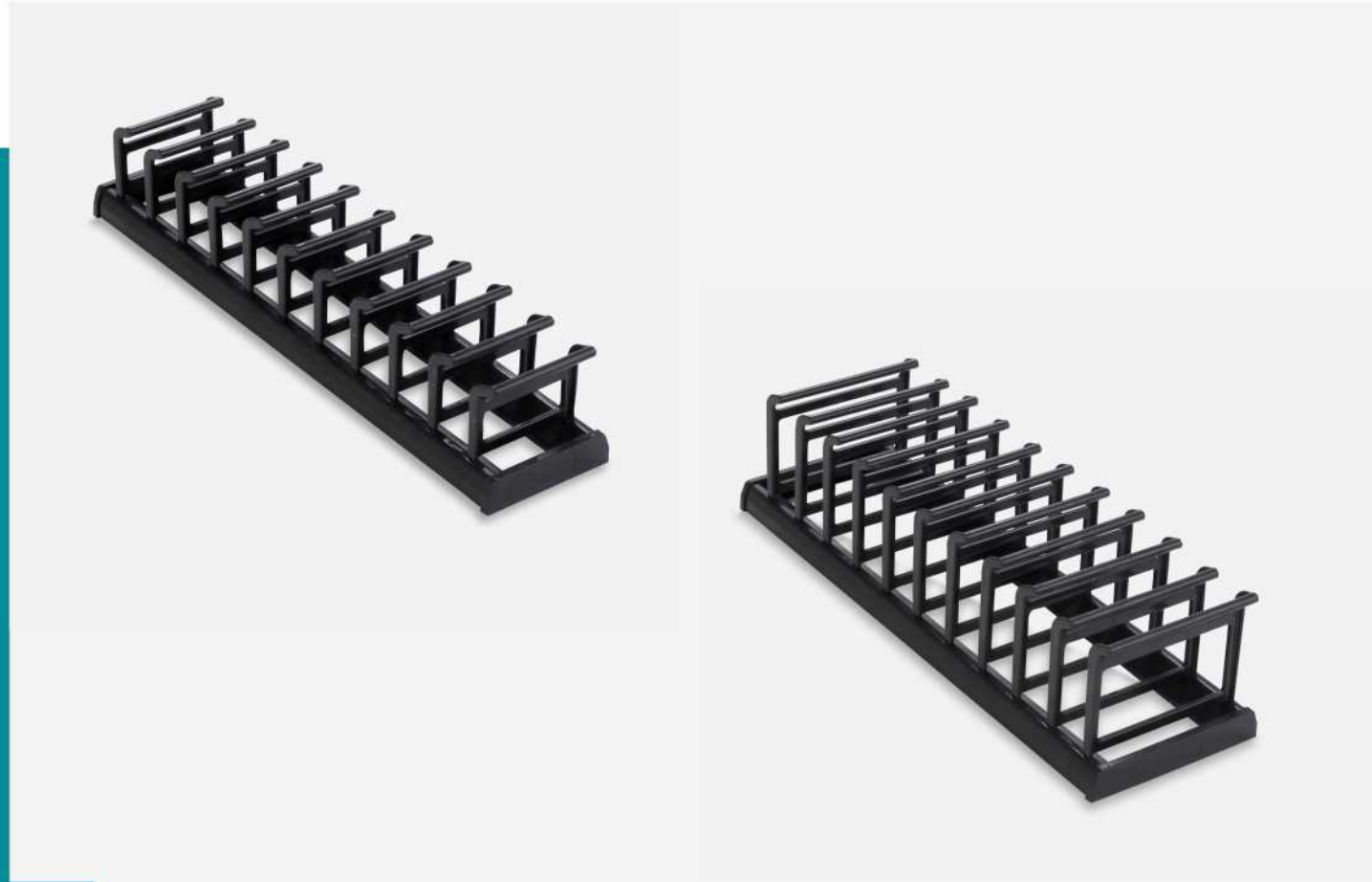


PRODUCT SPECIFICATION

- Easy to use in any kind kitchen drawer.
- Made from Virgin ABS with excellent durability.
- Robust holder for your Plates in a vertical easy access way.
- Available in 20 inch depth only.



PVC STAND



PRODUCT SPECIFICATION

- Available in 485mm Depth
- Material - PVC
- Easy to use in any kind kitchen drawer.

Cup & Saucer Stand



Thali / Plate Stand



PVC PLATE HOLDER



PRODUCT SPECIFICATION

- Flexible for different sizes of plates.
- Hold up to 12 plates (180mm to 320mm in diameter) Overall height 170mm.
- Can be adjusted according to the plates size completely safe for storing plates used in kitchen cabinets & drawers.
- Material - PVC

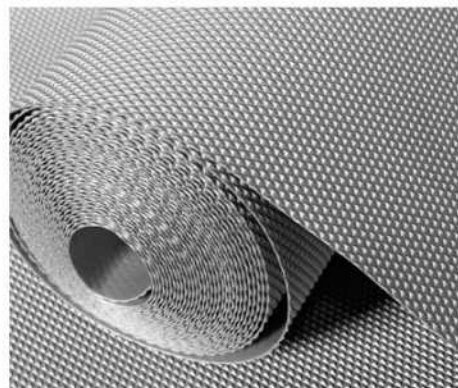




PRODUCT SPECIFICATION

- Dotted and lined upper surface for better hold and superior anti skid coating at the bottom.
- For use in kitchen drawers and shelves - protects furniture form water dripping and the anti skid features keeps the cutlery and utensils in place.
- Anti slip roll mat can be cut with scissors to any shape or size as per your needs. Use them in kitchen, drawer shelves, dining tables and work desk etc.
- Available in size 20 Metre.

Diamond Cut



Round Dot





KITCHEN OVERHEAD SOLUTIONS

- DOUBLE DOOR LIFT-UP •
- SINGLE DOOR LIFT-UP •
- GAS PUMP •
- ELEVATOR BASKET •
- DISH RACK •

DOUBLE DOOR LIFT-UP



PRODUCT SPECIFICATION

- Ideal for overhead cabinet shutters.
- Lifting up systems makes the top cabinet opening easily.
- Maximum load capacity is 7 Kg. to 8 Kg.
- Stylish design with single color caps.



Door Width	Door Height
600-850mm	700-850mm

SINGLE DOOR LIFT-UP



PRODUCT SPECIFICATION

- Ideal for overhead cabinet shutters.
- Lifting up systems makes the top cabinet opening easily.
- Stylish design with single color caps.

Item	Height	Width	Weight
Heavy	400-500	900-1200	5-6 K.g.
Medium	360-500	600-1200	4-5 K.g.



“
EASY INSTALLATION,
SIMPLE EFFECTIVE
& **PRECISE** ADJUSTMENT

GAS PUMP 9"



PRODUCT SPECIFICATION

- Soft & silent, self closing system.
- Easy to installation.
- Loading capacity - 5kg, 10kg, 15kg, 20kg.
- Easy to open.
- Finish - Silver



ELEVATOR BASKET (SILVER STRIP)



PRODUCT DETAILS IN MM

CABINET	WIDTH	DEPTH	HEIGHT
600	564	283	525
900	864	283	525

PRODUCT SPECIFICATION

- Lift-up basket allows the use of cabinet space accessible with a user-friendly design.
- The palm -shaped handle gives you a comfortable feeling and the quick snap structure has height adjustment features that allows easier installation.
- Lift-up basket made of high quality steel, three surface coating process to the basket body that ensures durable use.



ELEVATOR BASKET

(GREY STRIP)



PRODUCT DETAILS IN MM

CABINET	WIDTH	DEPTH	HEIGHT
600	564	283	525
900	864	283	525

PRODUCT SPECIFICATION

- Lift-up basket allows the use of cabinet space accessible with a user-friendly design.
- The palm -shaped handle gives you a comfortable feeling and the quick snap structure has height adjustment features that allows easier installation.
- Lift-up basket made of high material, three surface coating process to the basket body that ensures durable use.



ELEVATOR BASKET

(GLASS)



PRODUCT DETAILS IN MM

CABINET	WIDTH	DEPTH	HEIGHT
600	564	283	525
900	864	283	525

PRODUCT SPECIFICATION

- Lift-up basket allows the use of cabinet space accessible with a user-friendly design.
- The palm -shaped handle gives you a comfortable feeling and the quick snap structure has height adjustment features that allows easier installation.
- Lift-up basket made of high material, three surface coating process to the basket body that ensures durable use.





DISH RACK

PRODUCT DETAILS IN MM

CABINET	WIDTH	DEPTH
600	565	250
700	665	250
800	765	250
900	865	250

SPECIAL FEATURES

- Make full use of counter top space and reasonably store condiments, knives and other kitchen supplies, which provide more convenience for the storage of kitchen supplies and provides more powerful help for the integrity and procurement of the entire kitchen.
- Simple and beautiful design concept in method required by ergonomics, make full use of space and integrate trivial kitchen items together, making the entire counter top more simple and beautiful.
- The base material is made of food grade stainless steel stamping and bending, perfect assembly process no fingerprint surface treatment durable & environment friendly.
- It is recommended to store variety of plates & glass.

“HANDY SOLUTIONS
FOR OVERHEAD CABINETS”





KITCHEN BASE UNITS

DUST BIN •

SS •

PVC •

DOUBLE DUST BIN •

DETERGENT PULLOUT •

DUST BIN (SS & PVC)

PRODUCT SPECIFICATION FOR SS

- These bins have automatic opening systems for lids.
- They have also a removable bucket for convenience.
- Special stainless steel finish on outside.
- Size - W-270mm x H-335mm
- Capacity 10 Litre.

PRODUCT SPECIFICATION FOR PVC

- These bins have automatic opening systems for lids.
- They have also a removable bucket for convenience.
- Size - W-270mm x H-335mm
- Capacity 10 Litre.
- Finish - Grey



S.S. DUST BIN



PVC DUST BIN



DOUBLE DUST BIN



PRODUCT SPECIFICATION

- Designed for ultra modern kitchen.
- Compact designs, great capacity.
- Quick installation under every kind of sink.
- Storage of dry & wet waste.
- Finish - Grey

Size - W-250mm x D-452mm x 365mm





FURNITURE FITTING SERIES

TELESCOPIC SLIDES •

AUTO HINGES •

SKIRTING & CONNECTORS •

PVC LEG •

MINIFIX / DOWELS •

TELESCOPIC SLIDE - 45KG REGULAR

PRODUCT SPECIFICATION

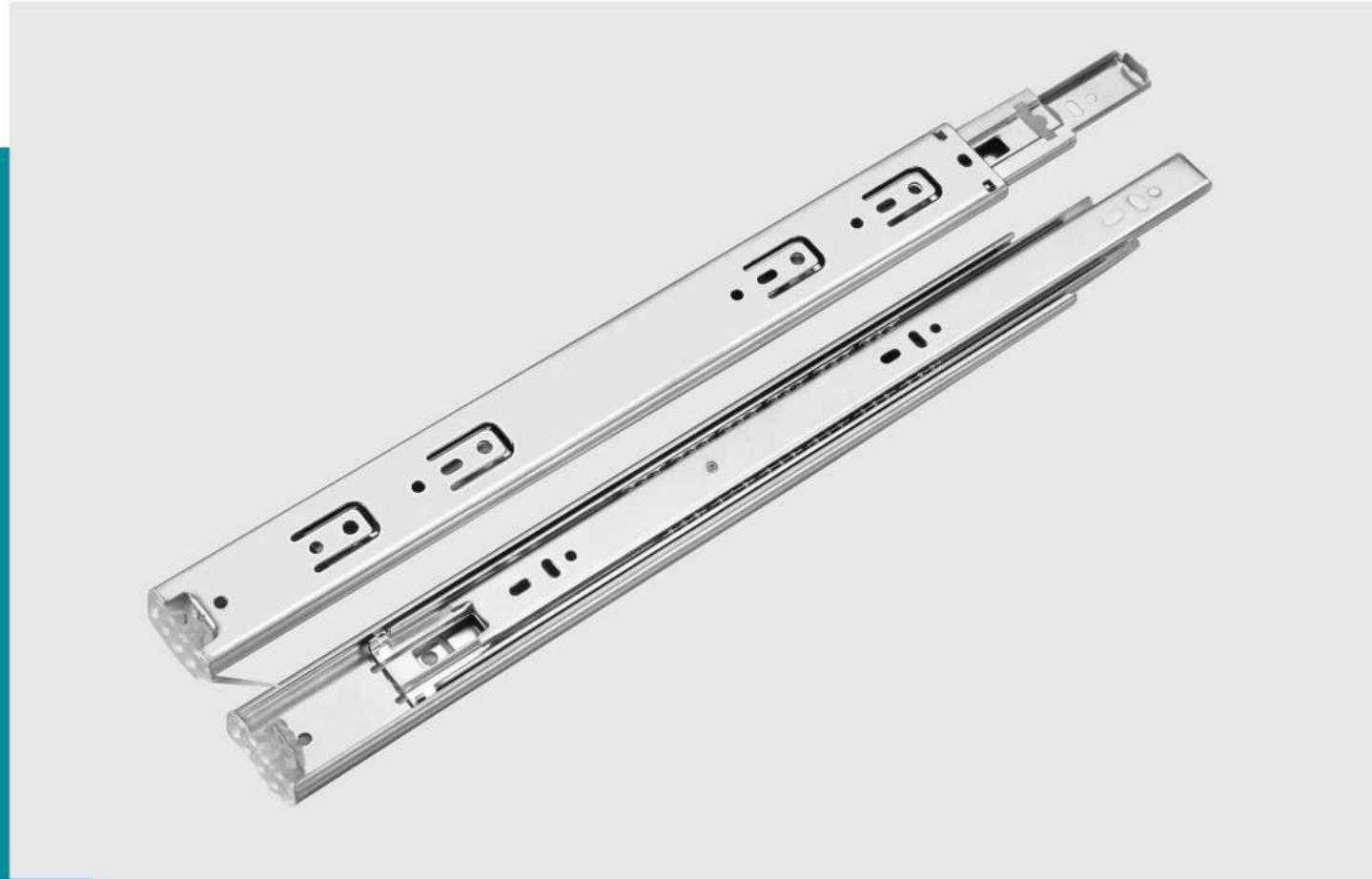
- Precision telescopic slides with full extension of drawer.
- Suitable for all kind of drawers.
- Loading capacity upto 45kg.
- Easy to install and easy to remove.
- Available length 08", 10", 12", 14", 16", 18", 20" inch.
- 48 Hrs. salt spray tested.
- 50,000 cycle passed.
- Finish - Zinc

**"ELEGANCE AND
FUNCTIONALITY IN YOUR
KITCHEN"**



TELESCOPIC SLIDE - 35KG

REGULAR



PRODUCT SPECIFICATION

- Precision telescopic slides with full extension of drawer.
- Suitable for all kind of drawers.
- Loading capacity upto 35kg.
- Easy to install.
- Available length 10", 12", 14", 16", 18", 20" inch.
- 48 Hrs. salt spray tested.
- 50,000 cycle passed.
- Finish - Zinc



TELESCOPIC SLIDE

SOFT CLOSE

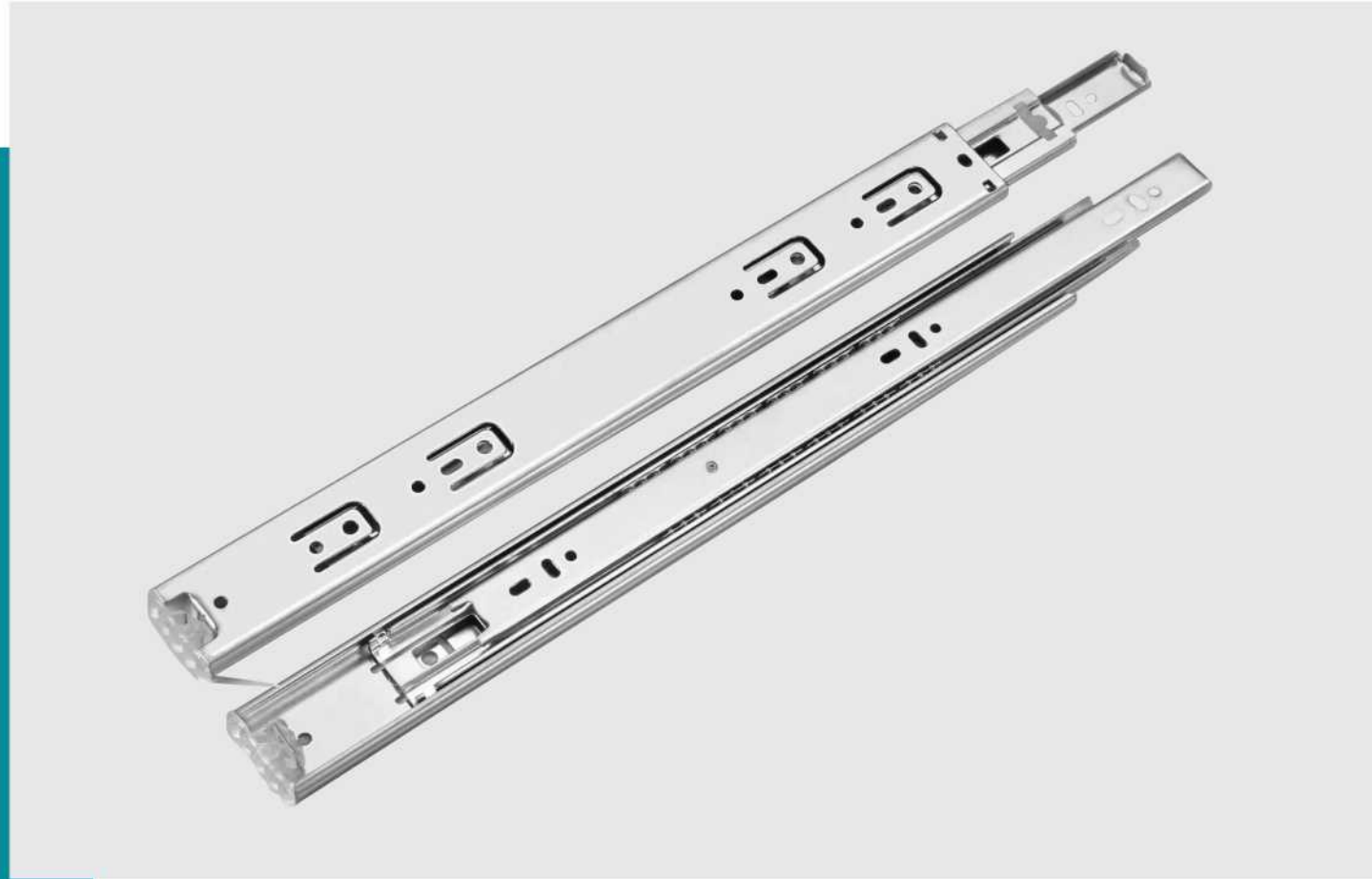


PRODUCT SPECIFICATION

- Precision telescopic slides with full extension of drawer.
- Suitable for all kind of drawers.
- Loading capacity upto 45kg.
- Easy to install.
- Available length 12", 14", 16", 18" & 20" inch.
- 48 Hrs. salt spray tested.
- 50,000 cycle passed.
- Finish - Zinc



S.S. TELESCOPIC REGULAR



PRODUCT SPECIFICATION

- Precision telescopic slides with full extension of drawer.
- Suitable for all kind of drawers.
- Loading capacity upto 35kg.
- Available length 18" & 20" inch.
- 48 Hrs. salt spray tested.
- 50,000 cycle passed.
- Stainless steel ball bearing.
- Finish - Zinc



S.S. TELESCOPIC (SOFT CLOSE)



PRODUCT SPECIFICATION

- Precision telescopic slides with full extension of drawer.
- Suitable for all kind of drawers.
- Loading capacity upto 35kg.
- Available length 20" inch.
- 48 Hrs. salt spray tested.
- 50,000 cycle passed.
- Stainless steel ball bearing.
- Finish - Zinc



PUSH TO OPEN TELESCOPIC SOFT CLOSE



PRODUCT SPECIFICATION

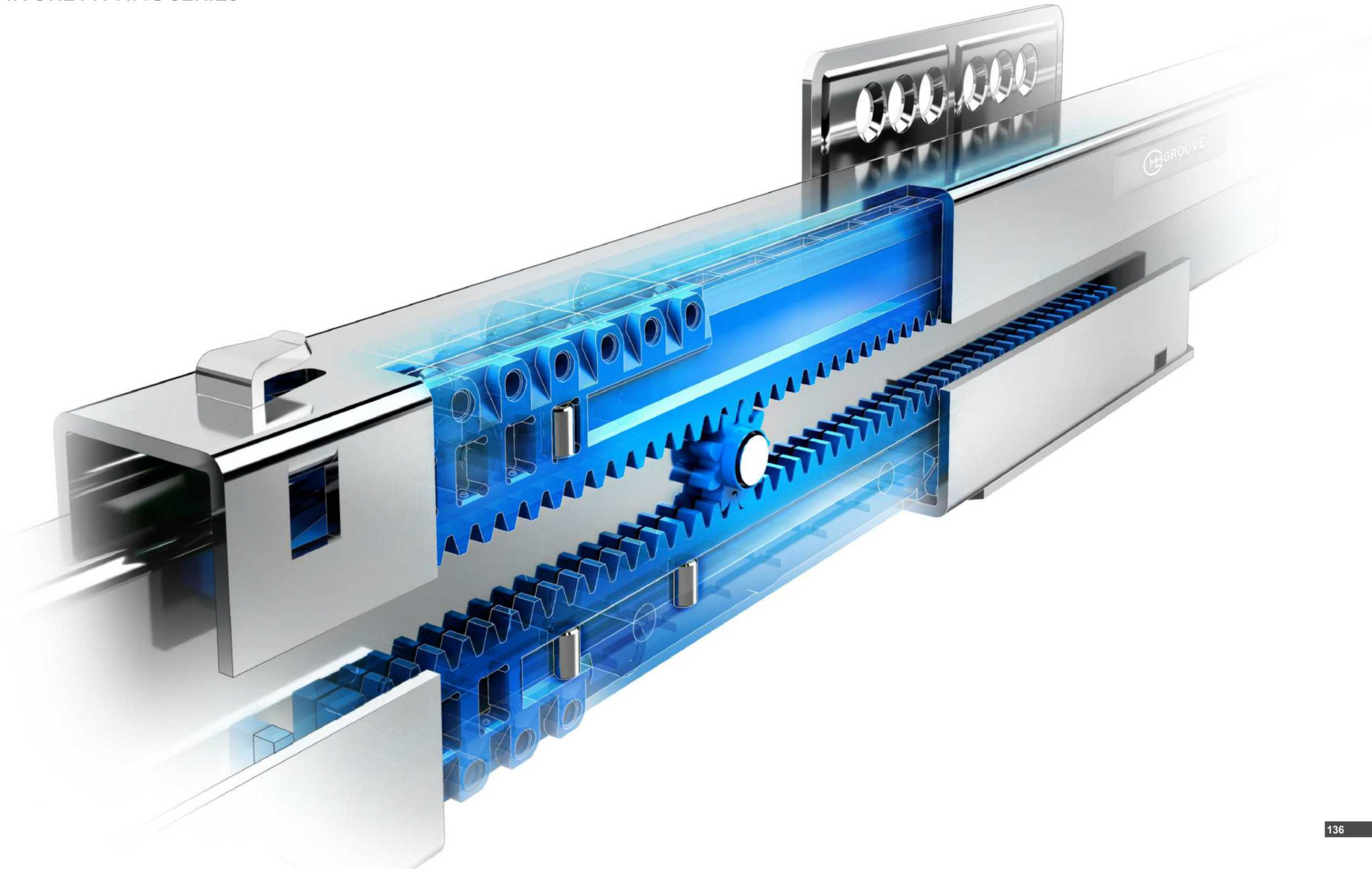
- Quick release system by pressing lever for drawer removal.
- Rubber brake preventing from automatic opening.
- Loading capacity upto 45kg.
- Easy to install.
- Available length 12", 14", 16", 18" & 20" inch.
- 48 Hrs. salt spray tested.
- 50,000 cycle passed.
- Stainless steel ball bearing.
- Finish - Zinc



“
EFFORTLESS OPENING
PLUS LONG RANGE
SOFT CLOSING,
A SUPERIOR
SILENT EXPERIENCE”



FURNITURE FITTING SERIES



WIRE QUADRO



PRODUCT SPECIFICATION

- Precision telescopic slides with full extension of baskets.
- Suitable for all kind of baskets.
- Loading capacity upto 45kg.
- Available length 20" inch.
- 50,000 cycle passed.
- 48 Hrs. salt press tested.

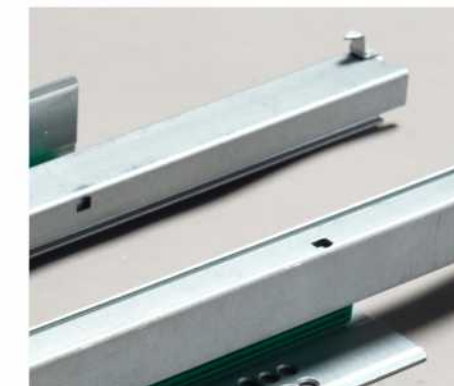


WOODEN QUADRO



PRODUCT SPECIFICATION

- Precision telescopic slides with full extension of drawer.
- Suitable for all kind of drawers.
- Loading capacity upto 45kg.
- Available length 12", 14", 16", 18" & 20" inch.
- 50,000 cycle passed.
- 48 Hrs. salt press tested.



AUTO HINGES



AUTO SS SLIDE ON

SOFT CLOSE HINGE



PRODUCT SPECIFICATION

- Opening angle 110°
- Unique build in damping system allows the shutter to close in slow motion without banging.
- Shallow cup depth 13mm.
- Available with Full Overly, Half Overly & Insert Overly.
- 48 Hrs. salt spray tested.
- 50,000 cycle passed.
- Shutter thickness 16mm to 19mm.
- Finish - Nickel plated.



AUTO CLOSE SS CLIP ON

SOFT CLOSE HINGE



PRODUCT SPECIFICATION

- Opening angle 110°
- Unique build in damping system allows the shutter to close in slow motion without banging.
- Stainless steel body for longer life.
- Shallow cup depth 13mm.
- Available with Full Overly, Half Overly & Insert Overly.
- 48 Hrs. salt spray tested.
- 50,000 cycle passed.
- Shutter thickness 16mm to 19mm.
- Finish - Nickel plated.



AUTO CLOSE CLIP ON

SOFT CLOSE HINGE



PRODUCT SPECIFICATION

- Opening angle 110°
- Unique build in damping system allows the shutter to close in slow motion without banging.
- Shallow cup depth 13mm.
- Available with Full Overly, Half Overly & Insert Overly.
- 48 Hrs. salt spray tested.
- 50,000 cycle passed.
- Shutter thickness 16mm to 19mm.
- Finish - Nickel plated.



AUTO CLOSE SLIDE ON

SOFT CLOSE HINGE



PRODUCT SPECIFICATION

- Opening angle 110°
- Unique build in damping system allows the shutter to close in slow motion without banging.
- Shallow cup depth 13mm.
- Available with Full Overly, Half Overly & Insert Overly.
- 48 Hrs. salt spray tested.
- 50,000 cycle passed.
- Shutter thickness 16mm to 19mm.
- Finish - Nickel plated.



AUTO CLOSE REGULAR HINGE



PRODUCT SPECIFICATION

- Opening angle 110°
- Shallow cup depth 13mm.
- Available with Full Overly, Half Overly & Insert Overly.
- 48 Hrs. salt spray tested.
- 50,000 cycle passed.
- Shutter thickness 16mm to 19mm.
- Finish - Nickel plated.



AUTO CLOSE 165° HINGE

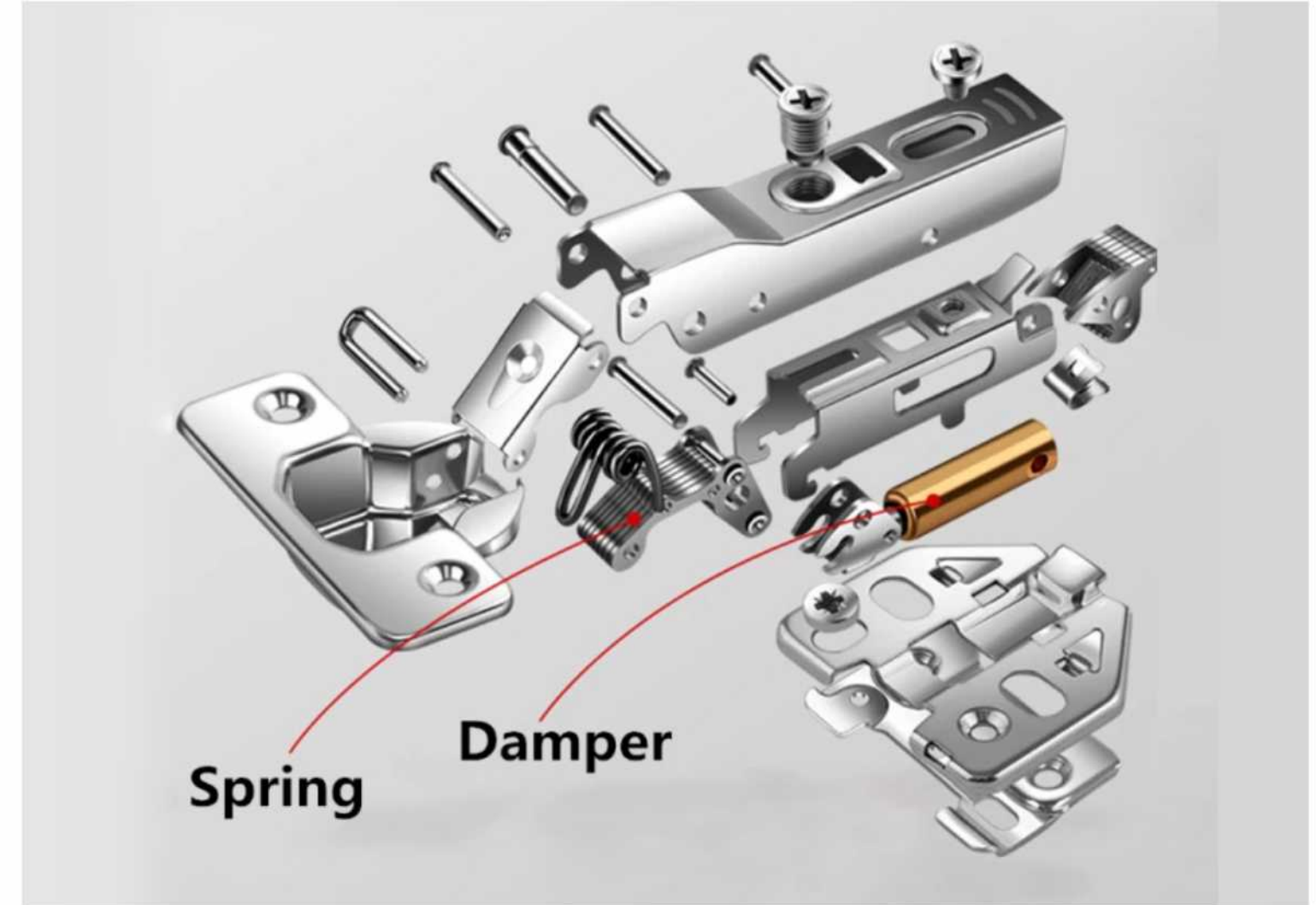


PRODUCT SPECIFICATION

- Opening angle 160°
- Unique build in damping system allows the shutter to close in slow motion without banging.
- Stainless steel body for longer life.
- Shallow cup depth 13mm.
- 48 Hrs. salt spray tested.
- 50,000 cycle passed.
- Shutter thickness 16mm to 19mm.
- Finish - Nickel plated.



AUTO CLOSE 120° HINGE



PRODUCT SPECIFICATION

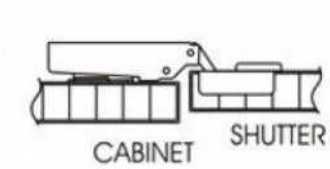
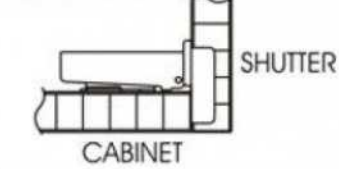
- Opening angle 120°
- Unique built in damping system allows the shutter to close in slow motion without banging.
- Stainless steel body for longer life.
- Shallow cup depth 13mm.
- 48 Hrs. salt spray tested.
- 50,000 cycle passed.
- Shutter thickness 16mm to 19mm.
- Finish - Nickel plated.



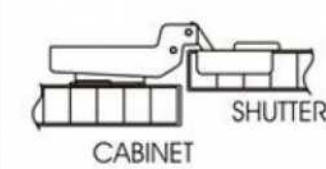
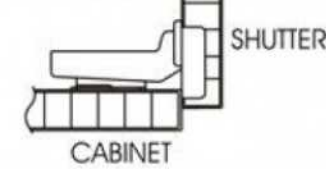
CLOSED CONDITION

OPEN CONDITION

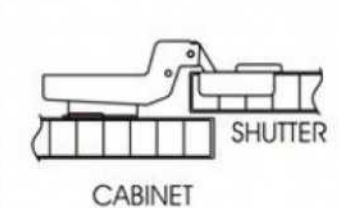
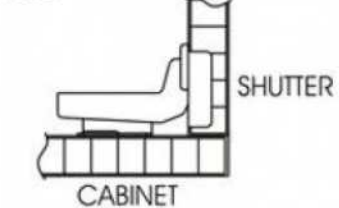
FULL OVERLAY



HALF OVERLAY



INSET



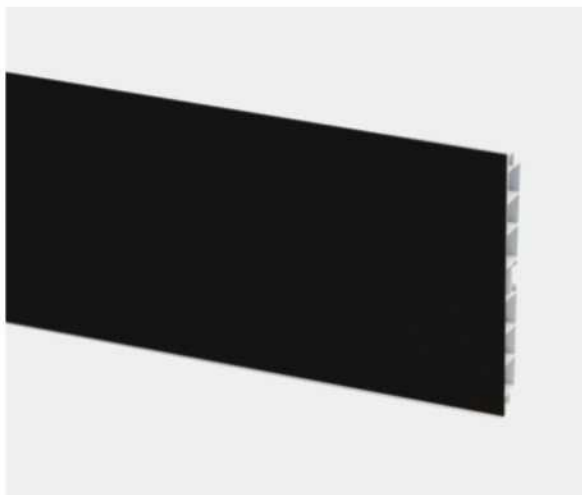
PVC SKIRTING



PRODUCT SPECIFICATION

Available in Silver & Black Finish
Available length 10 feet.

Black Skirting



Silver Skirting



CONNECTORS



PRODUCT SPECIFICATION

Ideal for kitchen cabinet baskets.
Finish - Silver & Black
Material - PVC



PVC KITCHEN LEGS

Heavy



Extra Heavy



Rehauu Type

PRODUCT SPECIFICATION

- Work tops can be set to a desired height with plinth legs.
- Carcase bottom can be transported with fitted mounting piece.
- Tolerance + 10mm.
- Size : 100mm (adjustable between 90-118mm).
- New thread stopper.
- Widely applied to a humid environment room like kitchen, bathroom to prevent ground water corrosion cabinet.



MINIFIX & DOWELS



PRODUCT SPECIFICATION

- Easy & rapid install.
- Half turn locking.
- Dowel pin is push fit in a Dia. 8mm hole.
- Also available with double ended bolt and M6 threaded screw with M6 dowel.



